

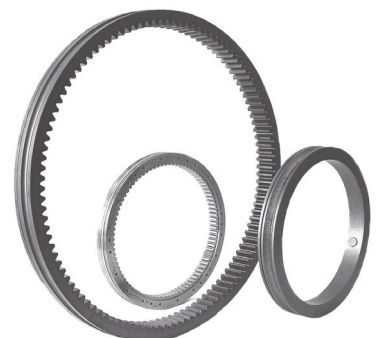
WIND ENERGY

HEAT TREATMENT EQUIPMENT
FOR SLEWING BEARINGS

DOUBLE HORIZONTAL MACHINE FOR SLEWING BEARINGS DIAMETER 6000 mm

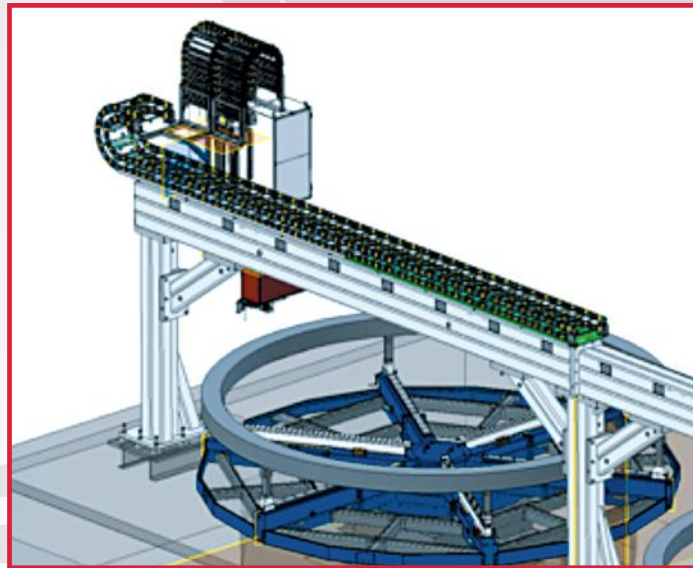
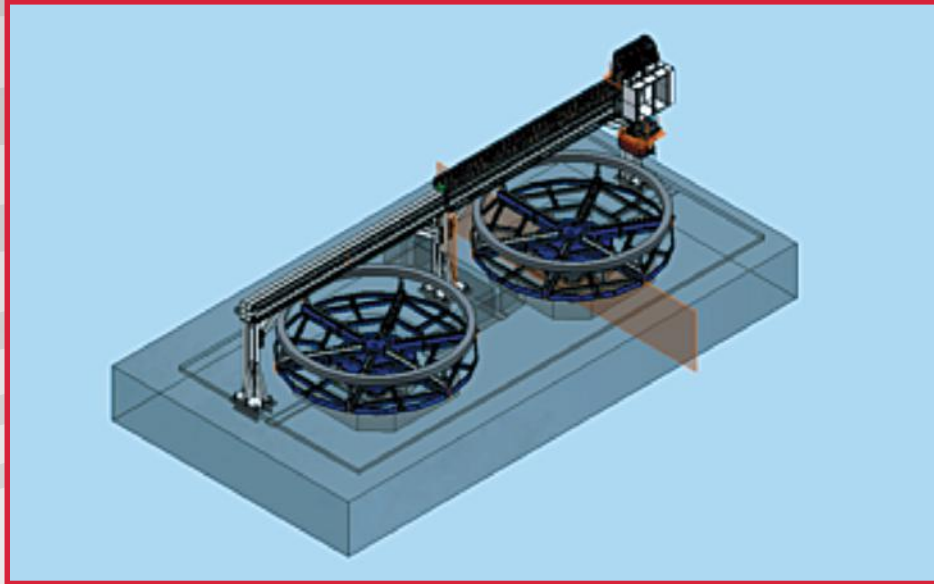
MACHINE FEATURES

- 1 x 200 kW (Pre-heating) + 1 x 200 kW (Austenitizing)
- Multiple frequency range, auto switchable: 2-4 kHz / 8-10 kHz / 12-14 kHz
- Processing speed: up to 550 mm/min (raceways) / up to 700 mm/min (teeth)
- Dimension range: H 100-250 mm / OD 1000-6000 mm / Weight up to 8 tons
 - Raceway diameter: 30-70 mm
 - Teeth module: M10-M30
- Process control: CNC rotating tables + CNC gantry crane



HEAT TREATMENT EQUIPMENT FOR SLEWING BEARINGS

DOUBLE HORIZONTAL MACHINE FOR
SLEWING BEARINGS DIAMETER 6000 mm



SAET S.p.A ■ Via Torino, 213 ■ 10040 Leinì (To) Italy
Phone (+39) 011 99.77.999 ■ Fax (+39) 011 99.74.328

www.saetemmedi.com